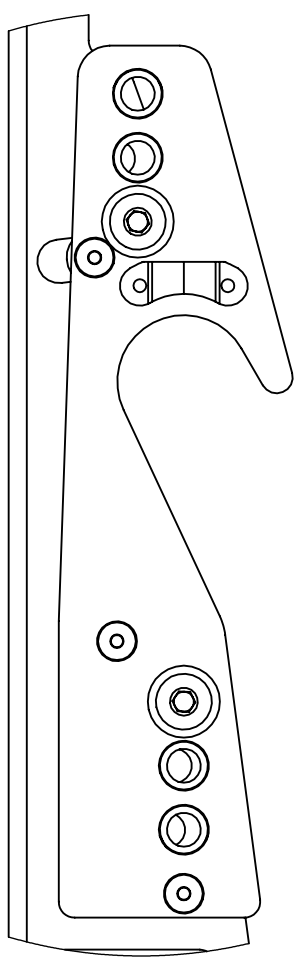
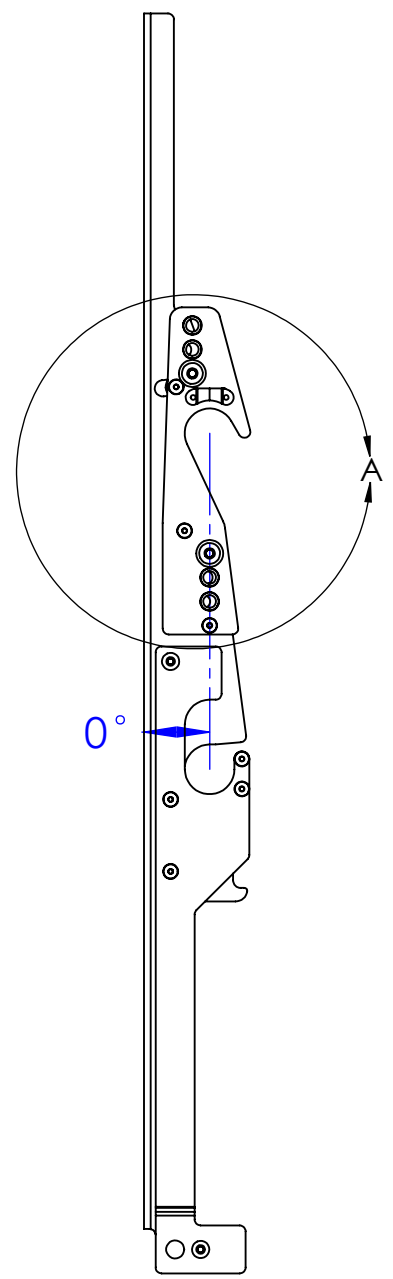


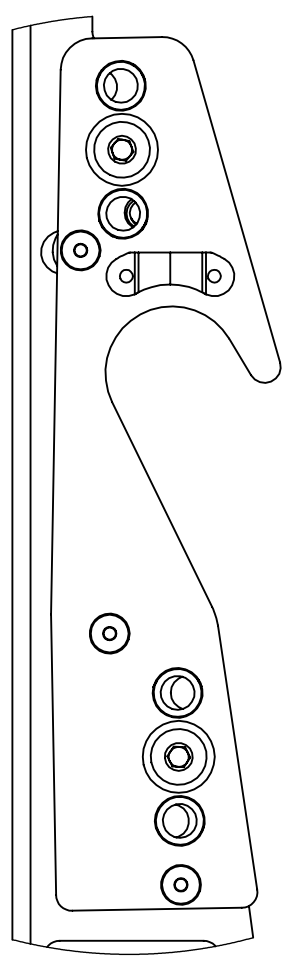
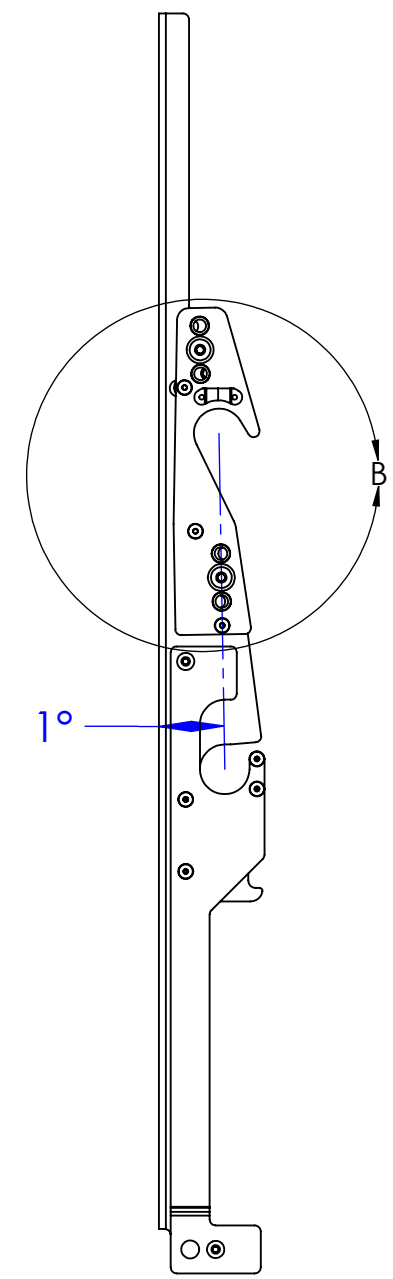
1. MAXIMUM MOUNTING PATTERN IS 38.7" (982 mm) WITHOUT REVERSING UPRIGHTS
2. MAXIMUM MOUNTING PATTERN IS 42.1" (1070 mm) WITH REVERSING UPRIGHTS
3. FOR RECESSED APPLICATIONS, MINIMUM VERTICAL LIFT FOR HOOK ENGAGEMENT IS .75" (19 mm)

THE INFORMATION AND DESIGNS CONTAINED IN THIS DRAWING ARE CONFIDENTIAL AND THE PROPRIETARY PROPERTY OF MILESTONE AV TECHNOLOGIES NEITHER THIS DESIGN NOR ANY INFORMATION CONTAINED IN THIS DRAWING MAY BE REPRODUCED OR DISCLOSED TO OTHERS WITHOUT THE EXPRESS WRITTEN CONSENT OF MILESTONE AV TECHNOLOGIES.

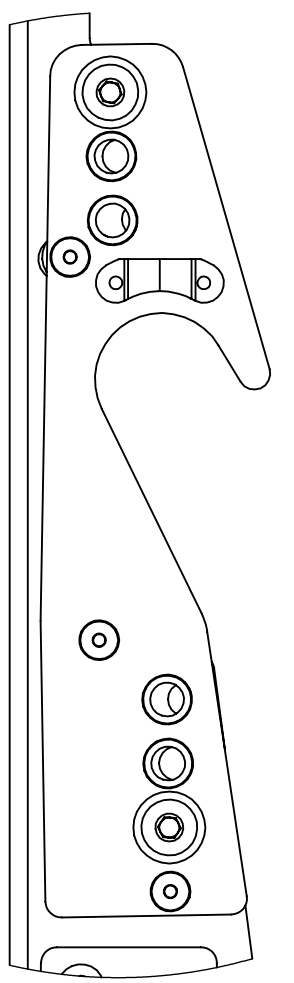
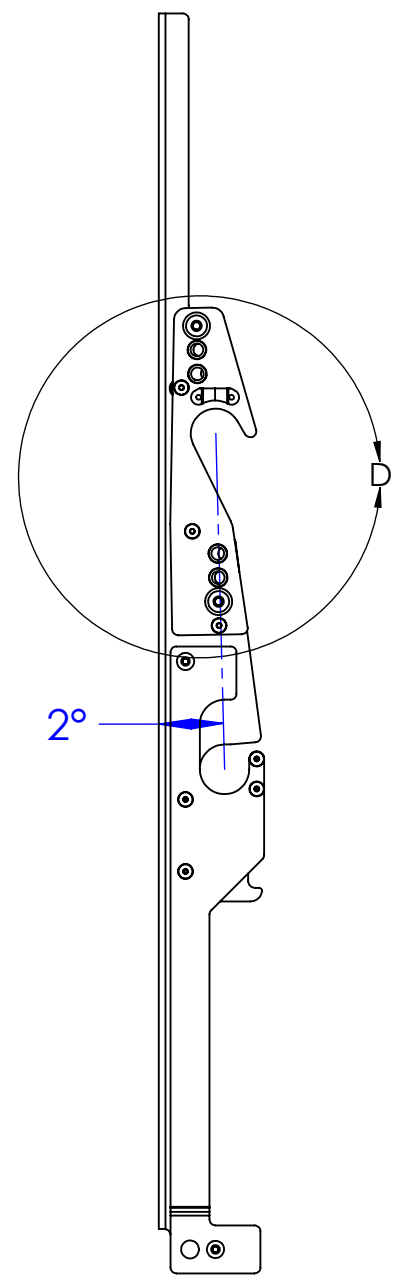
|  |     |          |                                       |   |  |
|--|-----|----------|---------------------------------------|---|--|
| CAD GENERATED DRAWING, DO NOT MANUALLY UPDATE. |     |          |                                       | 6436 CITY WEST PKWY<br>EDEN PRAIRIE MN, 55344<br>PHONE: 866-977-3901<br>FAX: 877-894-6918 |  |
| DRAWN BY                                       | JAB | 7/2/2014 |                                       | DESCRIPTION<br><b>XSM1U CUSTOMER TECHNICAL DRAWING</b>                                    |  |
| ENG APPROVAL                                   |     |          | MODEL NO.<br><b>XSM1U</b>             |   |  |
| MFG APPROVAL                                   |     |          | REV.<br><b>01</b>                     |   |  |
| QA APPROVAL                                    |     |          | SIZE DWG. NO.<br><b>B TECH-000618</b> |   |  |
| SHEET 1 OF 2                                   |     |          | SCALE<br><b>1:8</b>                   |   |  |



DETAIL A  
SCALE 1 : 1.5



DETAIL B  
SCALE 1 : 1.5



DETAIL D  
SCALE 1 : 1.5

## BACKWARDS ANGLE COMPENSATION SETTINGS

THE INFORMATION AND DESIGNS CONTAINED IN THIS DRAWING ARE CONFIDENTIAL AND THE PROPRIETARY PROPERTY OF MILESTONE AV TECHNOLOGIES NEITHER THIS DESIGN NOR ANY INFORMATION CONTAINED IN THIS DRAWING MAY BE REPRODUCED OR DISCLOSED TO OTHERS WITHOUT THE EXPRESS WRITTEN CONSENT OF MILESTONE AV TECHNOLOGIES.

|  |     |          |   |
|--|-----|----------|---|
| CAD GENERATED DRAWING, DO NOT MANUALLY UPDATE. |     |          | 6436 CITY WEST PKWY<br>EDEN PRAIRIE MN, 55344<br>PHONE: 866-977-3901<br>FAX: 877-894-6918 |
| DRAWN BY                                       | JAB | 7/2/2014 |   |
| ENG APPROVAL                                   |     |          | DESCRIPTION   |
| MFG APPROVAL                                   |     |          | XSM1U CUSTOMER TECHNICAL DRAWING  |
| QA APPROVAL                                    |     |          | MODEL NO.   |
| SHEET 2 OF 2                                   |     |          | XSM1U   |
| SCALE  | 1:8 | SIZE     | DWG. NO.  |
|  |     | B        | TECH-000618   |
|  |     |          | REV.  |
|  |     |          | 01  |